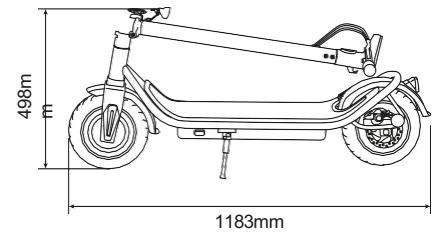
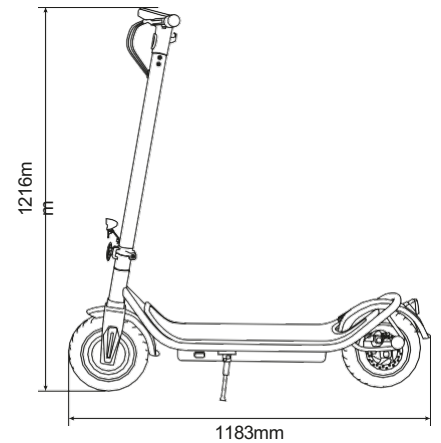


CITY CROSS-E

electric scooter



10" Road wheels with inner tube



LED integrated display



Rear disc brake

Technical specifications

Basic info	
Frame material	aluminium alloy
Speed	ECO: <= 6km/h D: <= 20km/h S: <= 25km/h (max speed)
Maximum gradient	15%
Brakes	double brake: electric front, rear disc
Power engine	350W
Tyre	10" Road, front and rear, with inner tube
Low voltage protection	31V +/- 0.5V
Current limit	13-15A
Engine type	brushless
Max load	120kg
Safety information	from 14 years of age, 140/200cm height max, recommended use with helmet and protection.
Working Temperature	-10°C / 50°C
Level of protection	IPX5
Charging time	about 6/7 hours
Autonomy	40-45km (routes at an average speed of 15km/h subject to be variable by rider weight, road condition, temperature etc.)

Electric system	
Engine	350W brushless
Brake	front electric brake
Display	LED display integrated
Battery	36V, 12.5Ah, 450Wh
Lights	LED front and rear lights
Charger	EU Standard DC2.1 Charger, 42V 2A

Dimensions and Weights	
Net weight	15,9kg
Gross weight	18kg
Unit size	1183 x 460 x 1216mm
Folding size	1183 x 460 x 498mm
Carton size	1200 x 240 x 550mm